



2019 Fort Stockton Drive
 San Diego CA 92103-1511
 Phone 619-247-3319
 Fax 800-861-3474
 service@2mainstreet.com

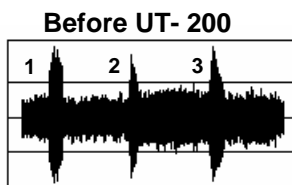
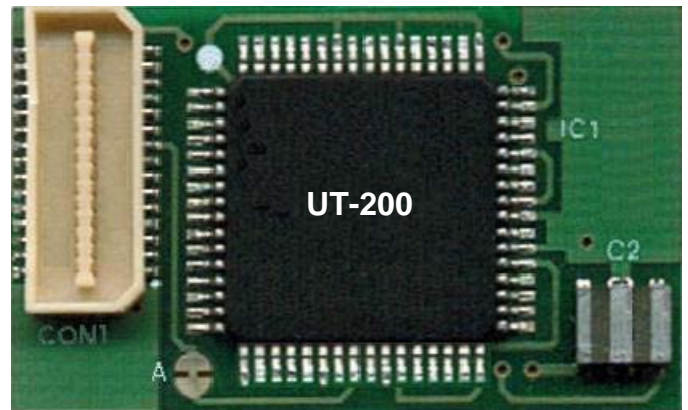
ICOM UHF / VHF Radio Option

UT - 200

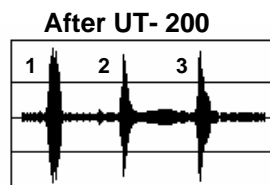
Voice Extraction through Background Noise Suppression

Product Features:

- User Hears Audio Processing Benefit
- Up to 20 dB of Voice to Noise Suppression
- Automatically Adapts to Noise Source
- Reduces Vibration and Wind Disturbance
- Select from 8 Suppression Levels
- Low Battery Drain and Standby Mode
- Land mobile, marine and repeater applications

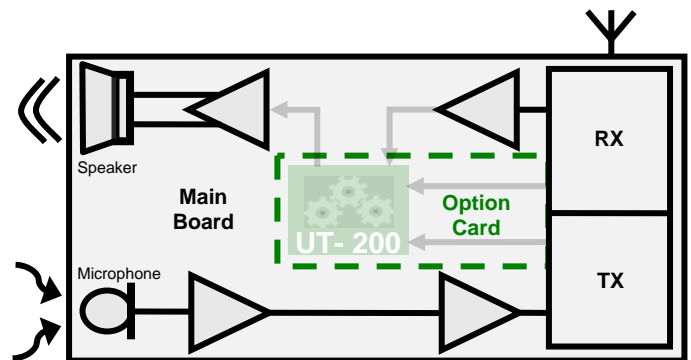


Voice Audio with Background Noise



Voice Audio after Noise Suppression

ICOM Radio Example



Improving Radio Communications Where Background Noise Disrupts Speech:

Airport, Construction, Fire, Industrial, Motor Sports, Police, Public Safety, Railroad, Rescue, Security, Shipyard

Compatibility:

ICOM Handheld and Mobile Radio Models Requiring [Low AF Signal Levels](#)

ICOM Radios with Audio Option Capabilities:

IC-F110 N	IC-F210 N/W	IC-F30	IC-F30 GT	IC-F40	IC-F610 N/W
IC-F110 S N	IC-F210S N/W	IC-F30 GS	IC-F31 GT N	IC-F40 GS	IC-F610 N/W MPT
IC-F121	IC-F221	IC-F30 LT	IC-F31 GT N BIIS	IC-F41GT N/W	IC-F620
IC-F121 S	IC-F221S	IC-F310	IC-F31 GT L	IC-F41GT N/W BIIS	IC-F621
IC-F1010	IC-F2010	IC-F310 N	IC-F320	IC-F420	
IC-F1020	IC-F2010 N/W	IC-F310 S	IC-F320 S	IC-F420 S	IC-F3100
IC-F1610	IC-F2020	IC-F310S N			IC-F4100
IC-F1610 N	IC-F2610	IC-F31GS N		IC-F510 N	
IC-F1610 N BIIS	IC-F2610 N/W	IC-F31GS L		IC-F520	IC-FR3000
	IC-F2610 N/W BIIS			IC-F521	IC-FR4000

Description:

The UT-200 option performs voice extraction processing techniques to suppress background audio noise from the received voice signal thereby improving the speech intelligibility.

If you use radio communications, you know the clearest speech audio comes from people working in the office environment. Imagine hearing the same clear intelligible speech from the person working next to a highway or operating noisy equipment.

With the UT-200 option installed in your ICOM radio you will hear speech improvements no matter the acoustic level of the **noise or wind** the transmitting radio microphone is picking up.

The UT - 200 will enhance the safety of radio operators by:

- Improving Message Understanding
- Reducing Communication Effort
- Removing Operator Frustration

Specifications:

Parameter	Notes	Minimum	Typical	Maximum	Unit
Audio Bandwidth	3dB (1)	0.20		8.0	KHz
Total Harmonic Distortion	< 1.5V p-p output level, 2K ohm Load	1	1.5	2	%
System Delay	Input to Output at Option Connector		33		mSec
Noise Suppression (Level 8)	Voice Audio to White Noise Ratio (2)		20		dB
	Voice Audio to Momentary Noise Ratio (2)		20		dB
	Voice Audio to Hum or CW Tone Ratio (2)		20		dB
Suppression Convergence	Suppression Level and Noise Dependent		500		mSec
Audio Signal Level Gain	Input to Output	0.99	1.0	1.1	A
Supply Voltage		+4.3		+20	Volts
Supply Current	Optional Unit Connector, Typ. VCC @ 7.2 V		28	30	mAmps
Standby Mode Current	Full Supply Range		50	100	µAmps
Operating Temperature	Weakest Component Specification	-20		+85	Deg C
Shock	Radio Installation Dependent				
Vibration	Radio Installation Dependent				
Connector Assembly	Insertion / Removal for Factory Specification			50	Cycles
Length	PCB Assembly		34.5		mm
Width	PCB Assembly		21.0		mm
Height	PCB Assembly		5.0		mm
Notes:					
(1) Radio audio bandwidth typically up to 4KHz					
(2) Suppression levels are system dependent. Noise figure and distortion events of electronic components affect measurements.					

Installation:

Visit a qualified ICOM radio dealer for professional installation of the UT-200 option. Depending on the radio configuration, installation may require printed circuit board modifications and programming selections for radio option activation.

Availability:

Contact your ICOM distributor or service center for demonstrations, installation and pricing.

Technical Support:

Call or email Main Street Technology technical support staff for answers regarding integration or operational settings of the UT-200 option.